

ASIA Cabinetry

CONSTRUCTION & SIZE GUIDE

Version 2026.1

TRADITIONAL COLLECTION



TRADITIONAL COLLECTION: OAK SHAKER KITCHEN

GROUP 1



GROUP 2



***ALL Traditional Collection are Special Ordered & subject to additional surcharges. (Lead time: ETA 7-10 business days)**

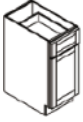
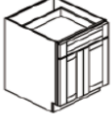

ASIA Cabinetry

Version 2026.1


TRADITIONAL COLLECTION SPECIFICATIONS


GROUP 1	White Oak Shaker	Slim White Shaker	Slim Gray Shaker	White Shaker	Ash Gray	Premium Shaker	Java Shaker	Antique White
	OS	SW	SG	WS	AG	PS	JS	AW
Material	Solid Birch							HDF
Style	Full Overlay							
Cabinet box	5/8" A-Grade plywood with wood veneer							
Cabinet interior	Natural Wood Finish*							
Hinges	Concealed 6-way adjustable hinges with soft closing feature							
Connectors	Concealed Metal Cam Lock system*							
Shelves	Full depth 3/4" wall & base shelves							
Drawer	Solid wood 3/4" drawer box							
	Dove tail Construction							
	Natural Wood Finish							
	Undermount drawer glides, Full extension with soft closing feature							
Glass Door	No glass door available				Frosted glass door			
Vanity	34 1/2" height and soft close undermount rails							

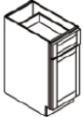
GROUP 2	Classic White	Espresso Shaker	Ginger Square	Dark Cherry	Coffee Square	Honey Shaker
	CW	ES	GS	DC	CS	HS
Material	Solid Birch					
Style	Half Overlay	Full Overlay				
Cabinet box	5/8" A-Grade plywood with wood veneer					
Cabinet interior	Matching color					
Hinges	Concealed 6-way adjustable hinges with soft closing feature					
Connectors	Metal Cam Lock system					
Shelves	Full depth 5/8" wall & base shelves					
Drawer Box	Solid wood 5/8" drawer box					
	Dove tail Construction					
	Matching color					
	Undermount, Full extension with soft closing feature					
Glass Door	Clear glass door					
Vanity	32" height and soft close sidemount rails				34 1/2" height and soft close undermount rails	


	ITEM	DESCRIPTION	GROUP 1	GROUP 2
BASE CABINETS				
	B09FD*	1 Full Height Door		
	B09*	1 Door, 1 Drawer		
	B12	1 Door, 1 Drawer		
	B15	1 Door, 1 Drawer		
	B18	1 Door, 1 Drawer		
	B21	1 Door, 1 Drawer		
	B24	2 Doors, 1 Drawer		
	B27	2 Doors, 1 Drawer		
	B30	2 Doors, 1 Drawer		
	B33	2 Doors, 1 Drawer		
	B36	2 Doors, 2 Drawer		
	B42	2 Doors, 2 Drawer		

DRAWER BASES				
	DB12	3 Drawers		
	DB15	3 Drawers		
	DB18	3 Drawers		
	DB21	3 Drawers		
	DB24	3 Drawers		
	DB27	3 Drawers		
	DB30	3 Drawers		
	DB33	3 Drawers		
	DB36	3 Drawers		

BASE SPICE RACKS				
	BSR06	3 Racks		
	BSR09	3 Racks		

SINK BASE CABINETS				
	SB30	2 Doors, 1 False Drawer		
	SB33	2 Doors, 1 False Drawer		
	SB36	2 Doors, 1 False Drawer		
	SB42	2 Doors, 2 False Drawer		

BASE TRASH CABINETS				
	B18	1 Door, 1 Drawer		
	B21	1 Door, 1 Drawer		
Need to add Double Trash Cans - soft close. (sold separately)				

BASE BLIND CABINETS				
	BBC36-42	1 Door, 1 Drawer		
	Actual cabinet width = 36", Space need from wall = 42" with 6" pull out			

ITEM	DESCRIPTION	GROUP 1	GROUP 2
------	-------------	-----------	-----------

BASE LAZY SUSAN



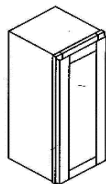
BLS33	2 Turning Tables
BLS36	2 Turning Tables

BASE END SHELF

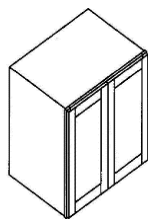


BES12L/R	3 Shelves (12" Wide)
----------	----------------------

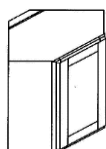
WALL CABINETS



W0930	1 Door, 2 Shelves
W0936	1 Door, 2 Shelves
W0942	1 Door, 3 Shelves
W1230	1 Door, 2 Shelves
W1236	1 Door, 2 Shelves
W1242	1 Door, 3 Shelves
W1530	1 Door, 2 Shelves
W1536	1 Door, 2 Shelves
W1542	1 Door, 3 Shelves
W1830	1 Door, 2 Shelves
W1836	1 Door, 2 Shelves
W1842	1 Door, 3 Shelves
W2130	1 Door, 2 Shelves
W2136	1 Door, 2 Shelves
W2142	1 Door, 3 Shelves
W2430	2 Door, 2 Shelves
W2436	2 Door, 2 Shelves
W2442	2 Door, 3 Shelves
W2730	2 Door, 2 Shelves
W2736	2 Door, 2 Shelves
W2742	2 Door, 3 Shelves
W3030	2 Door, 2 Shelves
W3036	2 Door, 2 Shelves
W3042	2 Door, 3 Shelves
W3330	2 Door, 2 Shelves
W3336	2 Door, 2 Shelves
W3342	2 Door, 3 Shelves
W3630	2 Door, 2 Shelves
W3636	2 Door, 2 Shelves
W3642	2 Door, 3 Shelves



WALL DIAGONAL CORNER CABINETS



WDC2430	1 Door, 2 Shelves
WDC2436	1 Door, 2 Shelves
WDC2442	1 Door, 3 Shelves

ITEM	DESCRIPTION	GROUP 1	GROUP 2
------	-------------	-----------	-----------

WALL BRIDGE CABINETS



W3012	2 Doors
W3015	2 Doors
W3018	2 Doors
W3021	2 Doors
W3024	2 Doors, 1 Shelf
W3612	2 Doors
W3615	2 Doors
W3618	2 Doors
W3621	2 Doors
W3624	2 Doors, 1 Shelf



W361224	2 Doors (24" Deep)
W361524	2 Doors (24" Deep)
W361824	2 Doors (24" Deep)
W362124	2 Doors (24" Deep)
W362424	2 Doors, 1 Shelf (24" Deep)

WALL END SHELF



WES1230	2 Shelves (12" Wide, 30" High)
WES1236	2 Shelves (12" Wide, 36" High)
WES1242	3 Shelves (12" Wide, 42" High)

WALL MICROWAVE CABINETS - Microwave shelf opening dimension: 23 3/4" W x 15 1/2" H x 17" D



WMO2730	2 Doors
WMO2736	2 Doors
WMO2742	2 Doors

TALL PANTRY CABINETS

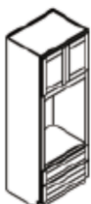


PC1884	2 Doors
PC1890	2 Doors
PC1896	2 Doors

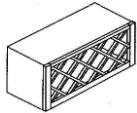
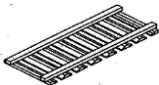
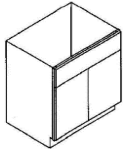
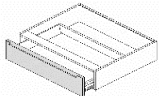
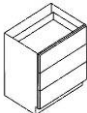
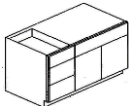
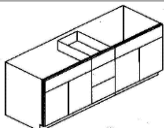
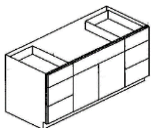





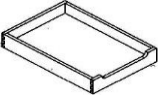
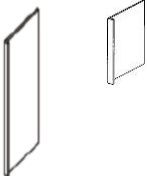


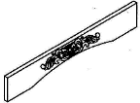

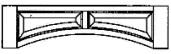
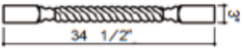
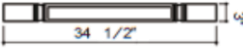


PC2484	4 Doors
PC2490	4 Doors
PC2496	4 Doors
PC3084	4 Doors
PC3090	4 Doors
PC3096	4 Doors

MICROWAVE OVEN CABINETS - MOC30 cutout (25.5" W x 42.5" H) | MOC33 cutout (28.5" W x 42.5" H)



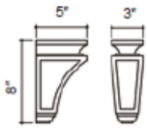
MOC3084	2 Doors, 2 Drawers
MOC3090	2 Doors, 2 Drawers
MOC3096	2 Doors, 2 Drawers
MOC3384	2 Doors, 2 Drawers
MOC3390	2 Doors, 2 Drawers
MOC3396	2 Doors, 2 Drawers

	ITEM	DESCRIPTION	GROUP 1	GROUP 2
WALL WINE RACK				
	WWR3015	(30" Wide, 15" High)		
STEM GLASS HOLDER				
	SGH30	(30" Wide)		
VANITY SINKS				
	VSB24	2 Doors		
	VSB27	2 Doors		
	VSB30	2 Doors		
	VSB36	2 Doors		
VANITY DRAWERS				
	VKD30	Vanity Knee Drawer (24"-30")		
	VD12	3 Drawers		
	VD15	3 Drawers		
	VD18	3 Drawers		
	VD21	3 Drawers		
	VSD3621-3L/R	2 Doors, 3 Drawers		
	VSD4221-3L/R	2 Doors, 3 Drawers		
	VCD6021-3	4 Doors, 3 Drawers		
	VDD48-6	2 Doors, 6 Drawers		
	VDD6021-6	2 Doors, 6 Drawers		
FILLERS				
	BF3	3" Base Filler		
	BF6	6" Base Filler		
	WF330	3" X 30" Wall Filler		
	WF336	3" X 36" Wall Filler		
	WF342	3" X 42" Wall Filler		
	WF642	6" X 42" Wall Filler		
	TF396	3" X 96" Wall Filler		
	TF696	6" X 96" Wall Filler		(ES/CW)
	RWF330	3" X 30" Fluted Wall Filler	--	
	RWF336	3" X 36" Fluted Wall Filler	--	
	RWF342	3" X 42" Fluted Wall Filler	(AW)	
	RWF396	3" X 96" Fluted Wall Filler	(AW)	

	ITEM	DESCRIPTION	GROUP 1	GROUP 2
ROLL OUT TRAYS				
	ROT18			
	ROT21			
	ROT24			
	ROT27			
	ROT30			
	ROT33			
	ROT36			
MATCHING END PANELS & SKINS				
	DWR3	Dishwasher Panel, 3" front		
	REF 1 1/2	Refrigerator Panel, 1 1/2" front		
	REF 3/4	Refrigerator Panel	--	(ES/CW)
	MBEP24	Matching Base End Panel		
	MWEP1230	Matching Wall End Panel, 30"H		
	MWEP1236	Matching Wall End Panel, 36"H		
	MWEP1242	Matching Wall End Panel, 42"H		
	TEP9636	Tall End Panel, 96"H		
	BS2434	Base Skin		(WS)
	WS1230	Wall Skin, 30"H		(WS)
	WS1236	Wall Skin, 36"H		(WS)
	WS1242	Wall Skin, 42"H		(WS)
VALANCES				
	VAL36	36" x 6" x 3/4"		
	VAL42	42" x 6" x 3/4"		
	VAL60	60" x 6" x 3/4"		
	VAL36	36" x 6" x 3/4"	--	(ES)
	VAL42	42" x 6" x 3/4"	--	(ES)
	VAL60	60" x 6" x 3/4"	--	(ES)
	VRP36	36" x 12" x 3/4"	(AW)	(DC/CW/CS)
	VRP42	42" x 12" x 3/4"	(AW)	(DC/CW/CS)
	VRP60	60" x 12" x 3/4"	(AW)	(DC/CW/CS)
POST LEGS				
	P3	3" X 3" X 34 1/2"	--	
	PS9	3" X 3" X 34 1/2"	(JS/AG)	
	SPOOL	3" X 3" X 34 1/2"	--	
	POST 4"	4" X 4" X 34 1/2"		(WS)

ITEM	DESCRIPTION	GROUP 1	GROUP 2
------	-------------	-----------	-----------

CORBELS



CBS 3" x 8" x 5"



C1962 6 1/2" X 14 3/4" x 5 5/8" (AW)

GLASS DOORS



- WMD1230 1 Glass Door
- WMD1236 1 Glass Door
- WMD1242 1 Glass Door

- WMD1530 1 Glass Door
- WMD1536 1 Glass Door
- WMD1542 1 Glass Door

- WMD1830 1 Glass Door
- WMD1836 1 Glass Door
- WMD1842 1 Glass Door

- WMD2130 1 Glass Door
- WMD2136 1 Glass Door
- WMD2142 1 Glass Door

- WDCMD2430 1 Glass Door
- WDCMD2436 1 Glass Door
- WDCMD2442 1 Glass Door





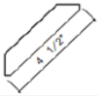









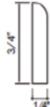

- WMD2430 2 Glass Doors
- WMD2436 2 Glass Doors
- WMD2442 2 Glass Doors

- WMD2730 2 Glass Doors
- WMD2736 2 Glass Doors
- WMD2742 2 Glass Doors

- WMD3030 2 Glass Doors
- WMD3036 2 Glass Doors
- WMD3042 2 Glass Doors

- WMD3330 2 Glass Doors
- WMD3336 2 Glass Doors
- WMD3342 2 Glass Doors

- WMD3630 2 Glass Doors
- WMD3636 2 Glass Doors
- WMD3642 2 Glass Doors

	ITEM	DESCRIPTION	GROUP 1	GROUP 2
MOLDINGS * (Moldings vary by style. Consult your sales representative for more details.)				
	CM8 2.5	2 1/2" X 96" Crown		(GS/CS/WS)
	CM8 4.5	4 1/4" X 96" Crown		(CW/ES)
	CCM8 4.5	4 1/4" X 96" Crown	(AG/AW)	--
	CMD8 4.5	4 1/4" X 96" Crown Dental	--	--
	CMT8 4.5	4 1/4" X 96" Crown Dental	(AW)	--
	CTD8 4.5	4 1/4" X 96" Crown Dental	--	(DC)
	CMR8	4 1/4" X 96" Crown Rope		(CS)
	FM8 2.5	2 1/2" X 96" Flat	--	(HS)
	FM8 4.5	4 1/4" X 96" Flat	(AG)	(ES/HS)
	IRM8	4 1/4" X 96" Inner Round	--	(CW/ES/GS)
	ORM8	4 1/4" X 96" Outer Round	--	(CW/GS)
	LR8	1 3/4" X 96" Light Rail		(GS/HS/WS)
	VCM8-M	1 3/4" X 96" Light Rail (Curved)		(DC/CS)
	OG8	4 1/4" X 96" Ogee		
	BM8 4.5	4 1/4" X 96" Base Molding	(AW)	--
	FBM8 4.5	4 1/4" X 96" Flat Base	(AG)	--
	ICM 96	3/4" X 3/4" X 96" Inner Corner		(WS)
	OC8	3/4" X 3/4" X 96" Outer Corner		
	QR8	3/4" X 96" Quarter Round		
	SM1	1 1/4" X 96" Scribe	--	(CW/ES/WS)
	SM8	3/4" X 96" Scribe		
	TK8	4 1/2" X 96" Toe Kick		

ITEM	DESCRIPTION
------	-------------

SAMPLE DOORS	
--------------	--

Sample Door	11" X 15"
-------------	-----------

TOUCH UP KITS	
---------------	--

MoHawk -Touch Up Kit	Crayon & Marker
----------------------	-----------------

HARDWARE	
----------	--

Full Overlay SC Hinge	6- DTC Adjustable Concealed
Partial Overlay SC Hinge	6- DTC Adjustable Concealed
Slides 18"	Side Mount Full Extension
Slides 21"	Side Mount Full Extension
SIT	Sink Tip-out Tray

TRASH CANS	
------------	--

12" Trash Can - single	High End Soft Close for B15
15" Trash Can - double	High End Soft Close for B18 & B21

CABINET CONSTRUCTION DETAILS

